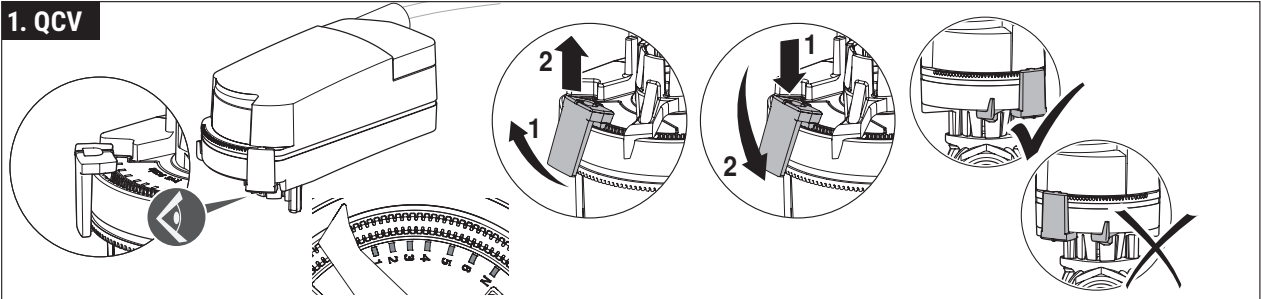


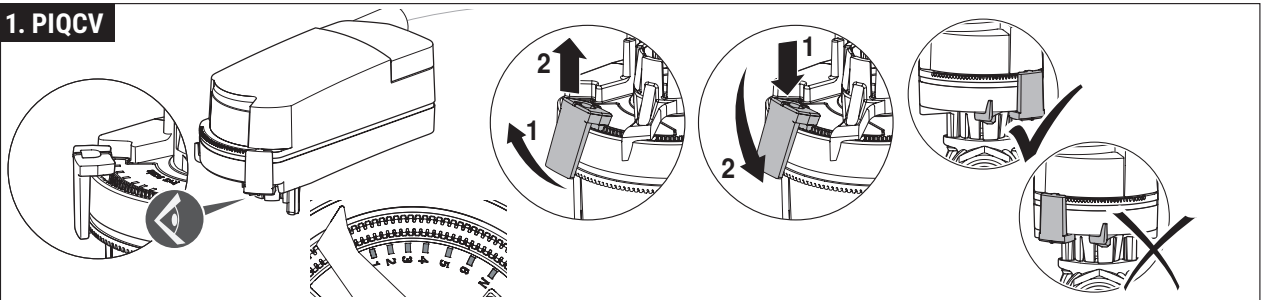
CQK... Actuators with ZoneTight Zone Valves

1. QCV



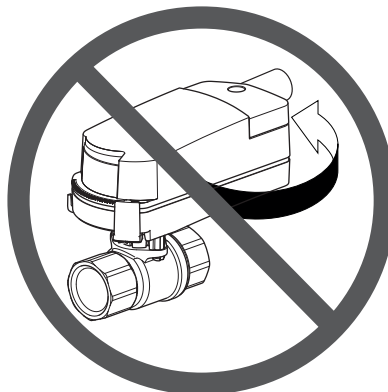
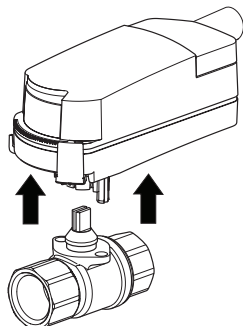
Size	Valve Model	V'max End Stop Positions										V'nom
		1	2	3-	3	4	4+	5	5+	6	N	No end stop
1/2"	Z2050Q(S)-F	0.1		0.2			0.4		0.6	0.8	1.2	1.4
1/2"	Z2050Q(S)-J	0.5	0.7		1.2	1.7		2.4		3	4.8	5.9
3/4"	Z2075Q(S)-K	0.5	1.0		1.5	2.3		3.3		4.6	6.6	9.8
1"	Z2100Q(S)-K	0.5	0.9		1.5	2.2		3.1		4.3	6	8.2
Runtime (seconds)		30	37	41	43	49	51	55	58	62	68	75

1. PIQCV



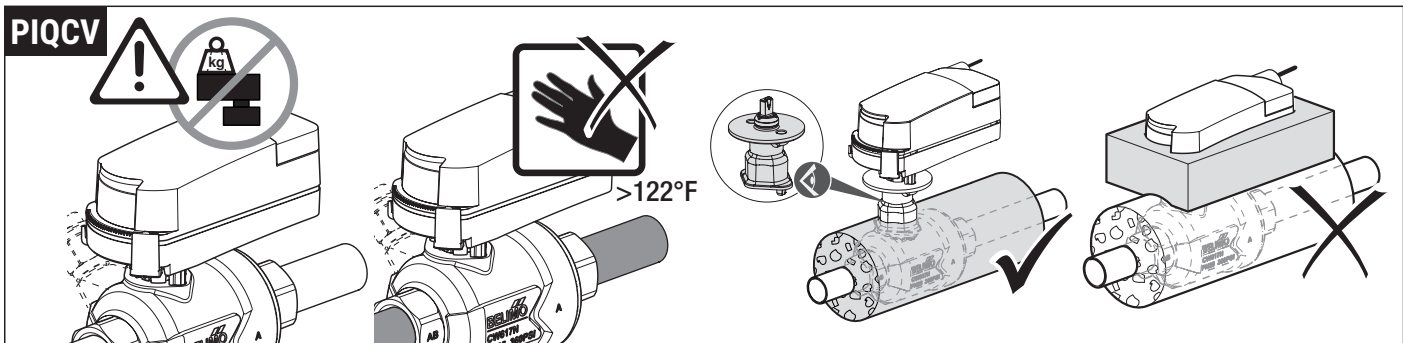
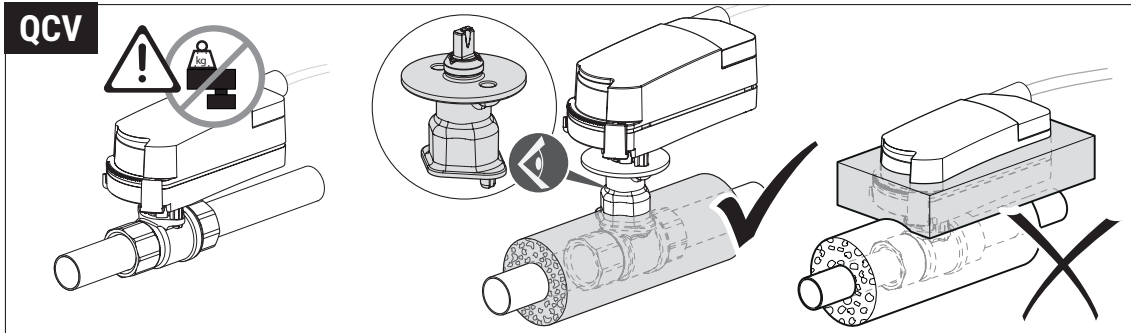
Valve Model (1/2")	Clip Position for Flow Adjustment (GPM)																			
	1	1+	2-	2	2+	3-	3	3+	4-	4	4+	5-	5	5+	6-	6	6+	N-	N	No Clip
Z2050QPT-B			0.1					0.2			0.3		0.4		0.5		0.6	0.7	0.8	0.9
Z2050QPT-D	0.2			0.3			0.4	0.5		0.6	0.7	0.8	0.9	1.0	1.2	1.3	1.5	1.6	1.8	2.0
Z2050QPT-F			0.6			0.7	0.8	0.9	1.0	1.3	1.5	1.7	1.9	2.2	2.5	2.8	3.1	3.3	3.6	4.3
Valve Model 3/4"																				
Z2075QPT-G			1.6	1.8	2.1	2.4	2.7	3.0	3.3	3.7	4.0	4.4	4.9	5.3	5.8	6.3	6.7	7.2	7.7	9.0
Runtime	30	33	35	37	39	41	43	45	47	49	51	53	55	58	60	62	64	66	68	75

QCV/PIQCV Actuator Removal



Pull Straight Up. Do not Twist to Remove.

CQK... Actuators with ZoneTight Zone Valves



WARNING:

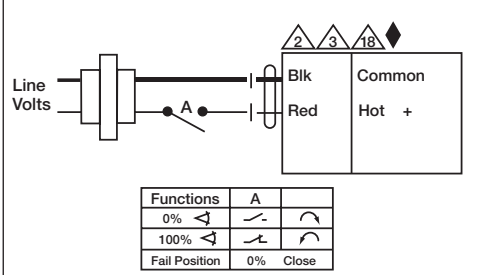
This product can expose you to lead which is known to the State of California to cause cancer and reproductive harm. For more information go to

www.P65Warnings.ca.gov

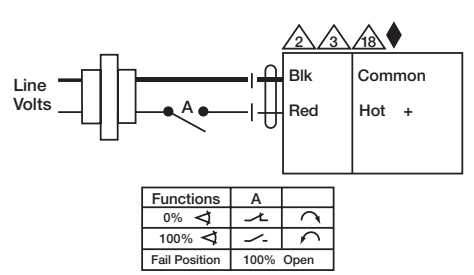
CQK... Actuators with ZoneTight Zone Valves

WIRING DIAGRAMS

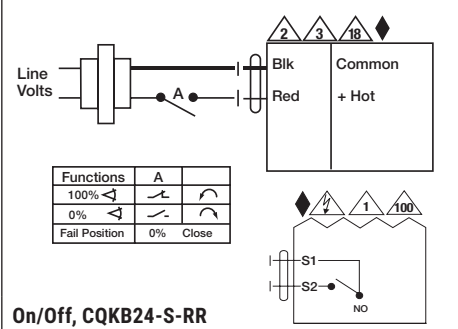
CQK...24V, CQKB24 (-RR) (-LL), CQKB24-S (-LL) (-RR), CQKB24-SR (-LL) (-RR) (-LR) (-RL), CQKBUP (-RR) (-LL)



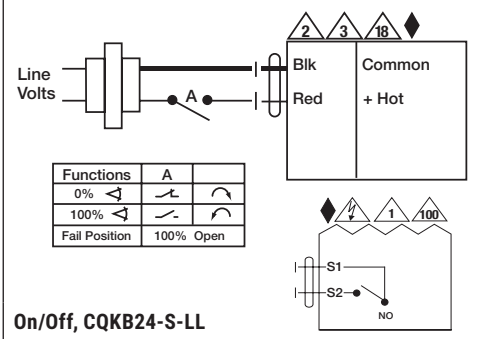
On/Off, CQKB24-RR, CQKBUP-RR



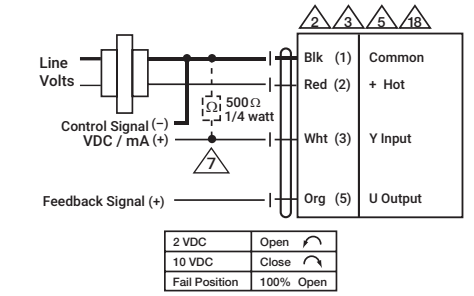
On/Off, CQKB24-LL, CQKBUP-LL



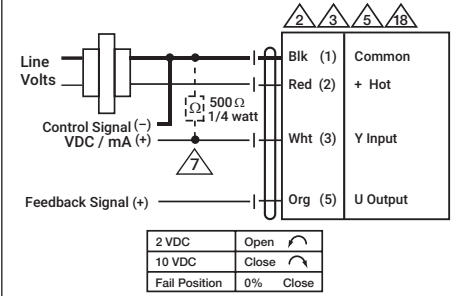
On/Off, CQKB24-S-RR



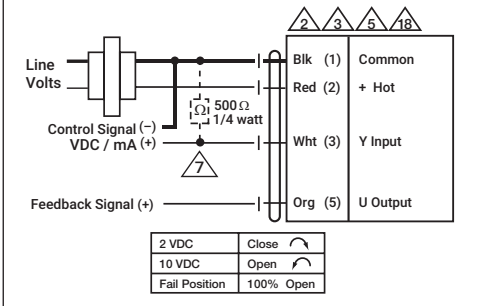
On/Off, CQKB24-S-LL



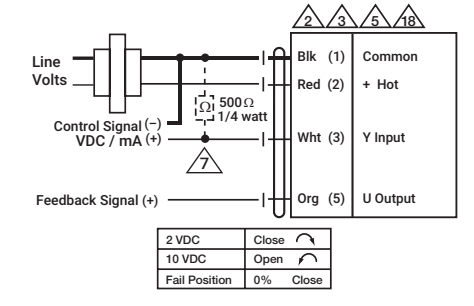
Proportional, CQKB24-SR-LL



Proportional, CQKB24-SR-LR



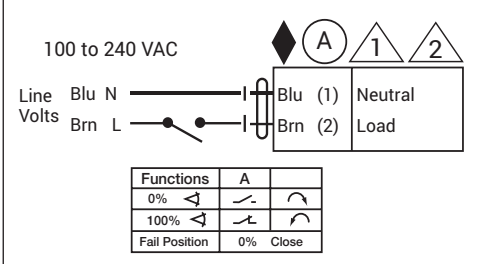
Proportional, CQKB24-SR-RL



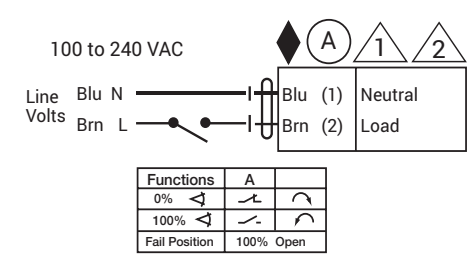
Proportional, CQKB24-SR-RR

Notes:

- Actuators with appliance cables are numbered.
- Meets cULus requirements without the need of an electrical ground connection
- Apply only AC line voltage or only UL-Class 2 voltage to the terminals of auxiliary switches. Mixed or combined operation of line voltage/safety extra low voltage is not allowed.
- Provide overload protection and disconnect as required.
- Actuators may be connected in parallel. Power consumption and input impedance must be observed.
- Actuators may also be powered by 24 VDC.
- Only connect common to neg. (-) leg of control circuits.
- A 500 Ω (ZG-R01) converts the 4 to 20 mA control signal to 2 to 10 VDC.
- Actuators with plenum rated cable do not have numbers on wires; use color codes instead.
- One built-in auxiliary switch, 1x SPST 1A @ 24 VAC/DC (resistive load), for end position indication, interlock control, fan startup, etc.



On/Off, CQKBUP-RR



On/Off, CQKBUP-LL

BLK	RED	WHT	ORG
Black	Red	White	Orange
Negro	Rojo	Blanco	Anaranjado
Noir	Rouge	Blanc	Orange
Preto	Vermelho	Branco	Alaranjado